

HELI

2t/2.5t/3t/3.5t ROUGH TERRAIN FORKLIFT

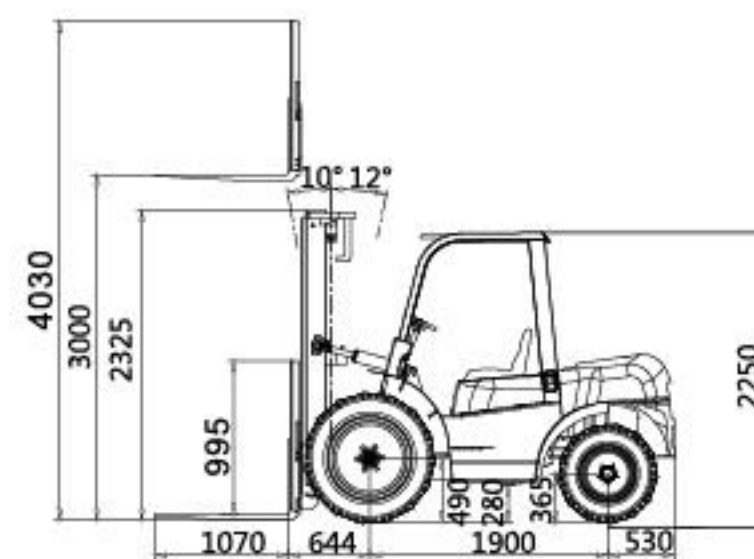
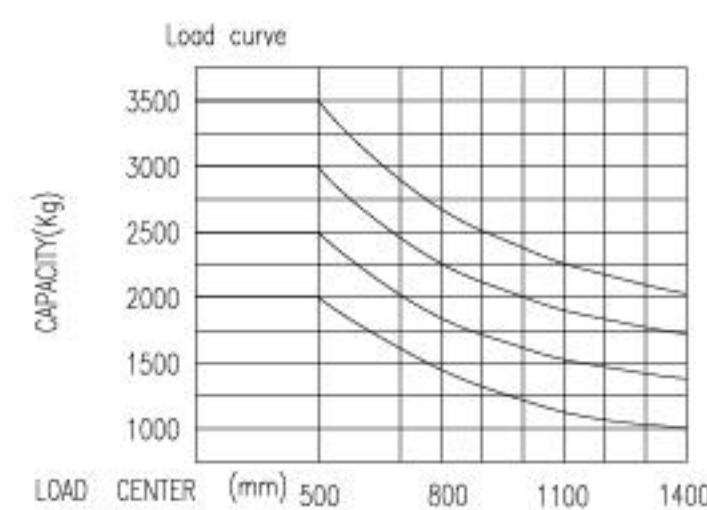


Main features

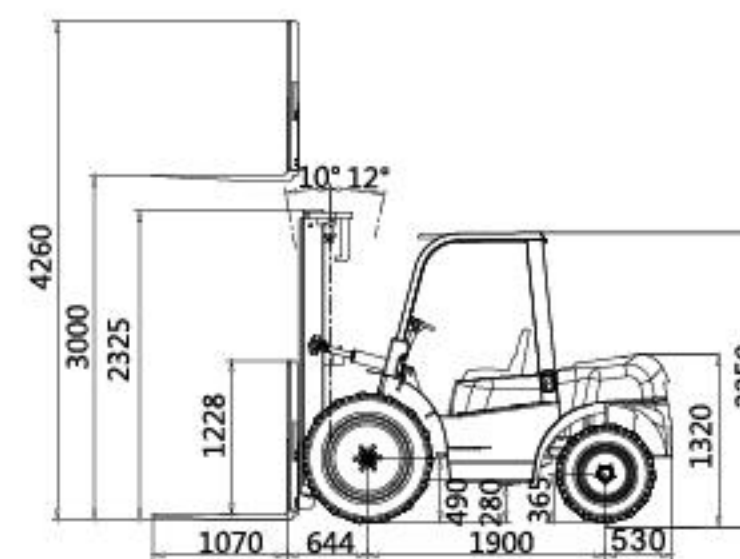
- › Widely used in mine fields, orchards, construction site and other fields.
- › Differential lock.
- › Higher ground clearance, the angle of the mast is up to 10° (f) / 12° (r), guarantee to pass well.
- › Strong power, large climbing slope, high speed, with domestic and foreign well-known brands of engine.
- › Equipped with super wide cross country tires, off-road performance is good.
- › High exhaust is standard configuration, ensure the working environment is good.

Main performance parameters of 2/2.5/3/3.5t ROUGH TERRAIN FORKLIFT

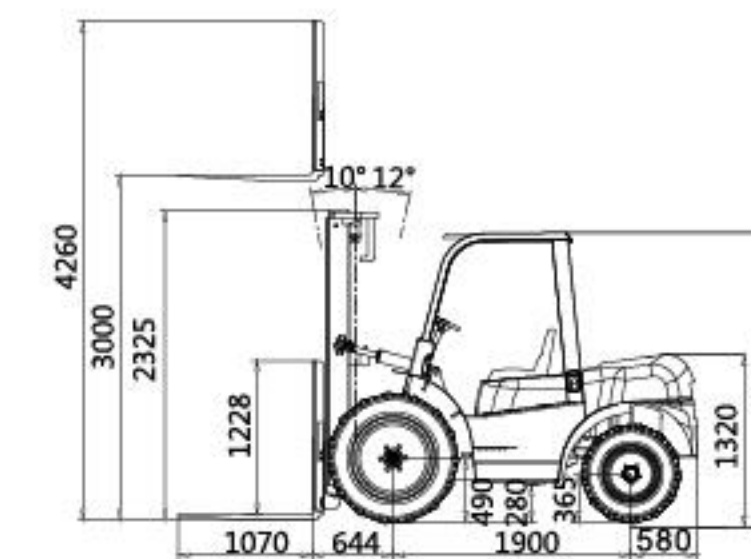
Parameters		Type	CPCD20-W1Y	CPCD20-W2Y Europe IIIA	CPCD25-W1Y	CPCD25-W2Y Europe IIIA	CPCD30-W1Y	CPCD30-W2Y Europe IIIA	CPCD35-W1Y	CPCD35-W2Y Europe IIIA
Load capacity		kg	2000	2000	2500	2500	3000	3000	3500	3500
Lift height		mm	3000	3000	3000	3000	3000	3000	3000	3000
Load centre distance		mm	500	500	500	500	500	500	500	500
Free lift		mm	150	150	150	150	150	150	150	150
Wheels, number front/rear (x=driven)			2x/2	2x/2	2x/2	2x/2	2x/2	2x/2	2x/2	2x/2
speed	Forward	km/h	20	20	20	20	20	20	20	20
	Backward	km/h	20	20	20	20	20	20	20	20
Turning radius		mm	3265	3265	3265	3265	3265	3265	3315	3315
Ground clearance (without load)		mm	270	270	270	270	270	270	270	270
Total length		mm	3994	3994	4194	4194	4144	4144	4194	4194
Overall width		mm	1550	1550	1550	1550	1550	1550	1550	1550
Overall height(mast)		mm	2325	2325	2325	2325	2325	2325	2325	2325
Wheelbase		mm	1900	1900	1900	1900	1900	1900	1900	1900
Track width, front		mm	1160	1160	1160	1160	1160	1160	1160	1160
Track width, rear		mm	1100	1100	1100	1100	1100	1100	1100	1100
Fork adjustment distance		mm	200~1340	200~1340	200~1340	200~1340	250~1350	250~1350	250~1350	250~1350
Service weight		kg	4500	4500	4650	4650	5050	5050	5300	5300
Load distance, centre of drive axle to fork		mm	644	644	644	644	644	644	644	644
Rear overhang		mm	530	530	530	530	530	530	580	580
Mast Tilt angle F/R		°	10/12	10/12	10/12	10/12	10/12	10/12	10/12	10/12
Max drawbar pull, laden		N	16500	1500	16500	1500	16500	1500	16500	1500
Gradient performance with load		%	22%	20%	20%	18%	18%	16%	16%	14%
braking distance (without load)		m	≤5	≤5	≤5	≤5	≤5	≤5	≤5	≤5
Engine	Model		4JG2	4JG2-NBKEG	4JG2	4JG2-NBKEG	4JG2	4JG2-NBKEG	4JG2	4JG2-NBKEG
	Rated Power/Rated Speed	Nw/rpm	46/2450	35/2450	46/2450	35/2450	46/2450	35/2450	46/2450	35/2450
	Max.Torque/Rated Speed	Nw/rpm	186.2/1600	175/1700	186.2/1600	175/1700	186.2/1600	175/1700	186.2/1600	175/1700
Tyre	Tyre size, front	size	15-19.5TL	15-19.5TL	15-19.5TL	15-19.5TL	15-19.5TL	15-19.5TL	15-19.5TL	15-19.5TL
		pressure	Mpa	0.48	0.48	0.48	0.48	0.48	0.48	0.48
	Tyre size, rear	size	10-16.5-8PR	10-16.5-8PR	10-16.5-8PR	10-16.5-8PR	10-16.5-8PR	10-16.5-8PR	10-16.5-8PR	10-16.5-8PR
		pressure	Mpa	0.41	0.41	0.41	0.41	0.41	0.41	0.41



2-2.5t



3t



3.5t



Basic type of mast

Mast type	Lift height (mm)	Load capacity (kg)				Lowered mast height (kg)	Extended mast height (mm)		Mast tilting F/R (°)	Free lift (mm)	Mast weight (kg)	
		2t	2.5t	3t	3.5t		2/2.5t	3/3.5t			2/2.5t	3/3.5t
M200	2000	2000	2500	3000	3500	1825	2950	3183	10/12	150	872	912
M250	2500	2000	2500	3000	3500	2075	3530	3763	10/12	150	887	927
M270	2700	2000	2500	3000	3500	2175	3730	3963	10/12	150	910	950
M300	3000	2000	2500	3000	3500	2325	4030	4263	10/12	150	932	972
M330	3300	2000	2500	3000	3500	2475	4330	4563	10/12	150	951	991
M350	3500	2000	2500	3000	3500	2575	4530	4763	10/12	150	965	1005
M370	3700	2000	2500	3000	3500	2675	4730	4963	10/12	150	1030	1070
M400	4000	2000	2500	3000	3500	2875	5030	5263	10/6	150	1050	1090
M425	4250	1950	2200	3000	3500	3000	5280	5513	10/6	150	1068	1108
M450	4500	1850	2000	2900	3400	3125	5530	5763	10/6	150	1091	1131
M475	4750	1600	1800	2850	3350	3250	5780	6013	10/6	150	1110	1150
M500	5000	1500	1700	2600	3100	3375	6030	6263	5/6	150	1159	1199
M550	5500	1350	1450	2400	2900	3675	6530	6763	5/6	150	1198	1238
M600	6000	1200	1300	2000	2500	3925	7030	7263	5/6	150	1220	1260

Duplex full free lift mast

Mast type	Lift height (mm)	Load capacity (kg)				Lowered mast height (kg)	Extended mast height (mm)		Mast tilting F/R (°)	Free lift (mm)		Mast weight (kg)	
		2t	2.5t	3t	3.5t		2/2.5t	3/3.5t		2/2.5t	3/3.5t	2/2.5t	3/3.5t
ZM200	2000	2000	2500	3000	3500	1815	3030	3264	10/12	820	588	922	962
ZM250	2500	2000	2500	3000	3500	2065	3530	3764	10/12	1070	838	937	977
ZM270	2700	2000	2500	3000	3500	2165	3730	3934	10/12	1170	938	960	1000
ZM300	3000	2000	2500	3000	3500	2315	4030	4264	10/12	1320	1088	982	1022
ZM330	3300	2000	2500	3000	3500	2465	4330	4564	10/12	1470	1238	1001	1041
ZM350	3500	2000	2500	3000	3500	2565	4530	4764	10/12	1570	1338	1015	1055
ZM370	3700	2000	2500	3000	3500	2665	4730	4964	10/12	1670	1438	1080	1120
ZM400	4000	2000	2500	3000	3500	2865	5030	5258	10/6	1870	1938	1100	1140
ZM425	4250	1950	2200	3000	3500	2990	5280	5513	10/6	1995	1763	1118	1158
ZM450	4500	1850	2000	2900	3400	3115	5530	5764	10/6	2120	1888	1141	1181
ZM475	4750	1600	1800	2850	3350	3230	5780	6013	10/6	2235	2003	1160	1200
ZM500	5000	1500	1700	2600	3100	3365	6030	6264	5/6	2370	2138	1209	1249
ZM550	5500	1300	1400	2400	2900	3665	6530	6764	5/6	2670	2438	1248	1288
ZM600	6000	1100	1200	2000	2500	3915	7030	7264	5/6	2920	2688	1270	1310

Triplex full free lift mast

Mast type	Lift height (mm)	Load capacity (kg)				Lowered mast height (kg)	Extended mast height (mm)		Mast tilting F/R (°)	Free lift (mm)		Mast weight (kg)	
		2t	2.5t	3t	3.5t		2/2.5t	3/3.5t		2/2.5t	3/3.5t	2/2.5t	3/3.5t
ZSM360	3600	1900	2400	2800	3300	2081	4430	4663	10/6	1086	854	1090	1130
ZSM400	4000	1900	2400	2800	3300	2200	5006	5239	10/6	1205	973	1125	1165
ZSM435	4350	1900	2300	2800	3300	2325	5380	5613	10/6	1330	1098	1160	1200
ZSM450	4500	1850	2150	2700	3200	2375	5530	5763	10/6	1380	1148	1175	1215
ZSM470	4700	1750	1900	2500	3000	2375	5730	5963	10/6	1380	1148	1180	1220
ZSM480	4800	1750	1900	2500	3000	2475	5830	6063	10/6	1480	1248	1200	1240
ZSM500	5000	1600	1800	2400	2900	2575	6030	6363	10/6	1580	1348	1230	1270
ZSM540	5400	1300	1500	2400	2900	2700	6506	6739	5/6	1705	1473	1260	1300
ZSM600	6000	1000	1150	1750	2250	2925	7180	7413	5/6	1930	1698	1320	1360



检测 CNAS L7096